

Features

- For LED Indoor Office & Retail Application
- 1-10V / PWM Dimming Function
- High Reliability & Long Life 50,000hrs
- Compact Size/ Optimized Performance
- Constant Current Design/ Low Inrush Current/ Low Ripple Current
- Wide Input Range for Worldwide use (up to 305Vac)
- Low energy consumption at standby
- Protections: Short Circuit/ Open Circuit/ Over Voltage/ Over temperature
- Class 2 power unit
- 100% Burn-in Test
- Safety: Meet IEC61347-2-13, UL8750 & EMI EN55015



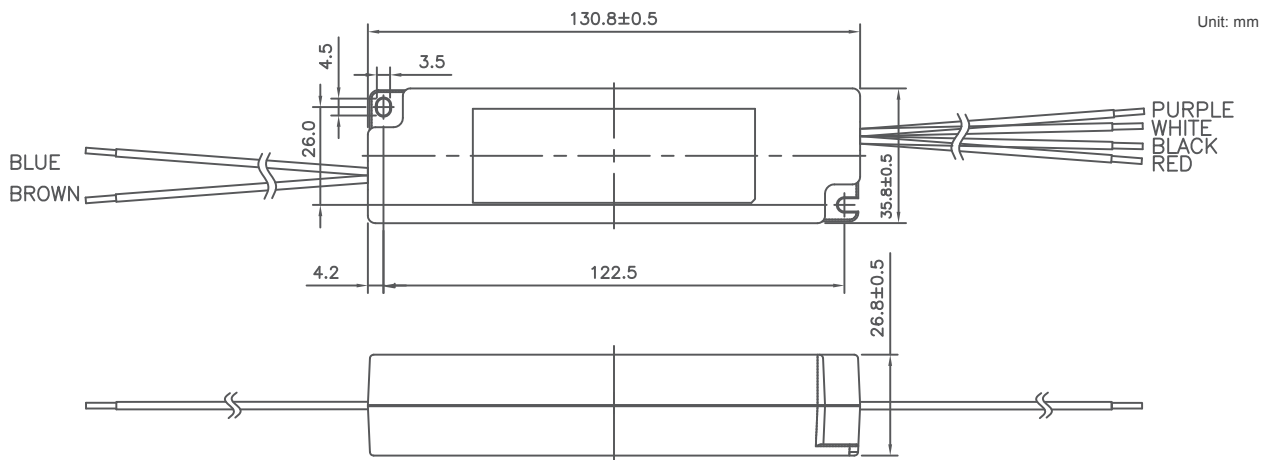
SPECIFICATION

Model Name	RAP-18-350-D	RAP-18-500-D	RAP-18-700-D
Rated Power	18W	18W	18W
Output Voltage	40-52V	20-36V	15-26V
Rated Current	350mA	500mA	700mA
Efficiency (typ.)	84%	86%	85%
Input Voltage/ Frequency	120~277Vac / 47~63Hz		
Power Factor (typ.)	PF≥0.9		
Turn On Delay Time,Rise time	0.2s max / 0.5ms max.		
Inrush Current (typ.)	5A cold start		
Life Time [2]	50,000 hours		
Operating Temperature	-20°C~+50°C		
Output Current Accuracy	±5%	±5%	±5%
Output Ripple Current[3]	±5%	±5%	±5%
Line Regulation	±0.5%	±0.5%	±0.5%
AC Current (typ.)	0.21A max.		
Leakage Current	≤0.25mA		
Operating Humidity	20 ~ 95%RH		
Storage Temperature	-40 ~ +85°C		
Storage Humidity	10 ~ 95%RH		
Vibration	0.01g ² / Hz at 5 Hz sloping to 0.02g ² / Hz at 20 Hz, and maintaining 0.02g ² / Hz from 20 Hz to 500 Hz at a constant acceleration of 3.13G for 20 minutes per axis for all three axes		
IP Level	IP20		
Over Voltage Protection	<85V	<57V	<57V
	Auto Recovery		
Other Protections	SCP ; Open Circuit Protection ; OTP ; OLP		
Surge Voltage	Differential Mode≥1KV ; Common Mode ≥ 2KV		
Withstand Voltage (Hipot)	I/P-O/P 3750Vac, I/P-FG 1875Vac		
Isolation Resistance	I/P-O/P I/P-FG: 100M ohm @ 500Vdc / 25°C		
Safety Standards	EN61347-1, EN61347-2-13, UL8750		
EMC Standard	Compliant with EN55015 CLASS B		
Dimension (LxWxH)	131 x 36 x 27mm		
Net Weight / Packing	115g ; 60 pcs / box		

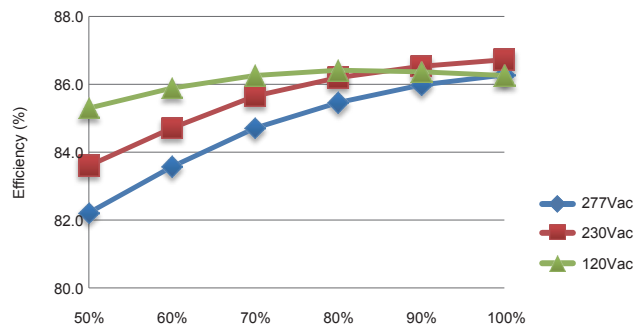
Notes:

1. Data that didn't mention is tested under 230Vac/ 50Hz full load condition
2. Data at full load and rated voltage, 230Vac/50Hz input, and 35°C ambient temperature unless otherwise specified.
3. The ripple current must be measured under the condition of AC coupling & 20MHz bandwidth. (Rated input and rated output)
4. The input voltage information on the label should be marked ±10% less than the original input voltage, to conform with safety regulations.

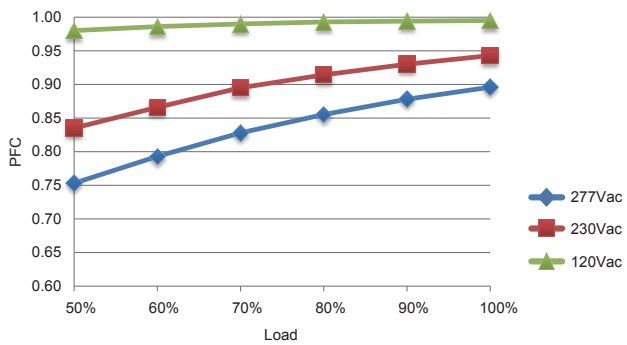




Efficiency



PFC vs Loading



THD vs Input Voltage

