

DESCRIPTION

FSP450-80EVMR is an industrial level of switching power supply. The power supply comes to offer the total power capacity up to 450 Watts, and uses unique active PFC (Power Factor Correction) circuit design with its high-load electrical components, makes it to be perfectly used in an industrial environment. In addition, with its full range of input and output electrical features, the power supply is ideally the best choice for server, workstation, communication or any other automation applications to use. The product also complies with the latest safety and EMC standards, which is perfectly to meet various regulations worldwide.

APPLICATION

For standard, advanced server and storage power system.

FEATURES

- Remarkable power density
- Excellent redundant PSU efficiency
- Well working performance at 50°C (24 hours running)
- Low ripple and noise
- Support OTP, OVP, OCP and SCP circuit protection
- Comply with FCC, CB, TUV, CE and CCC certification or declaration requirement

WATTAGE

Wattage: 450W

DIMENSION

Dimension: 196mm(L) x 72mm(W) x 84mm(H)

PRODUCT HIGHLIGHT

Efficiency Level: 80PLUS Base
Altitude: 2000M
PMBus: For standard, advanced server and storage power system.

INPUT SPECIFICATION

Input Range: 90-264 Vac
Input Frequency: 47-63 Hz
Input Current: 115V@ 8.0 Amps-rms maximum, 230V@ 4.0Amps-rms maximum

GENERAL SPECIFICATION

Voltage Regulation: +3.3V, +12V, +5V, +5SB: ±5%
 -12V, -5V: ±10%

*Output Voltage and Current Rating

	+3.3V	+5V	+12V1	+12V2	+12V3	-12V	-5V	+5Vsb
Ripple-Noise(R-P) mV	50mV	50mV	120mV	120mV	120mV	200mV	200mV	50mV
Regulation Load %	±5%	±5%	±5%	±5%	±5%	±10%	±10%	±5%
Output Max.(A)	20A	20A	18A	18A	16A	0.8A	0.5A	2A
Output Min.(A)	0.5A	0.5A	0.5A	0.5A	0.5A	0A	0A	0A

NOTES

- 5V, 3.3V, 12V, -12V Will give the regulation to 10% when all load take off.
- The +3.3V and +5V total output shall not exceed 100 watts.
- The combined current for the 12V outputs shall be 35A
- The total output shall not exceed 450 watts

MECHANICAL SPECIFICATION



SAFETY STANDARD APPROVAL



OUTPUT SPECIFICATION

Hold up Time: 115V/60Hz 17mSec.
 Minimum@75% Load, 230V/50Hz 17mSec.
 Minimum,@75% Load

Output Voltage Regulation: +3.3Vdc output : +3.9 Vdc minimum, + 4.5Vdc maximum
 +5Vdc output : +5.7 Vdc minimum, + 6.5Vdc maximum
 +12Vdc output : +13.3 Vdc minimum, + 14.5Vdc maximum

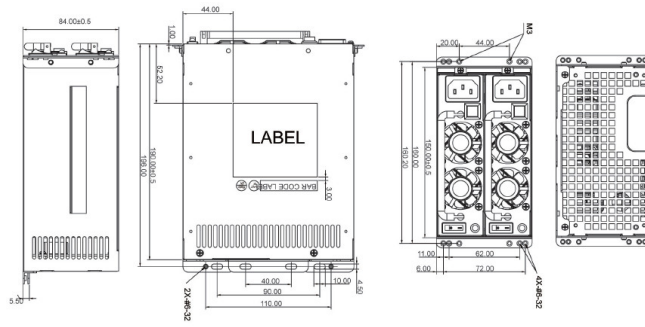
Output Rise Time: 115V-rms/230V-rms 5V 20ms Maximum
 115V-rms/230V-rms 12V 20ms Maximum

Ripple & Noise: 3.3V:50mV p-p
 5V:50mV p-p
 12V1:120mV p-p
 12V2:120mV p-p
 12V3:120mV p-p
 -12V:200mV p-p
 5Vsb:50mV p-p
 -5V:200mV p-p

ENVIRONMENTAL SPECIFICATION

TEMP.Range: Storage Temperature: -20°C to + 80°C

MTBF: The power supply have a minimum predicted MTBF(MIL-HDBK-217) of 100,000 hours of continuous operation at 25°C, 75% output load, and nominal AC input voltage



This content is subject to change, please refer to specification for more detail.
FSP reserve the right to change the content without prior notice