



全漢企業股份有限公司
FSP TECHNOLOGY INC.

台灣桃園市建國東路22號
No. 22, Jianguo East Road., Taoyuan City, Taiwan, R.O.C.
TEL:+886-3-375-9888
FAX:+886-3-375-6966

統一編號：84239055
Website : www.FSP-group.com
Email : sales@fsp-group.com.tw

SPECIFICATION



ESD08070630

FSP450-80EVMR

Released Date:2009/5/15-14:38:35

SPECIFICATION

Mini Redundant Power PS2 Rev.02

FSP450-80EVMR 450W



Mini Redundant Power Supply PS2



全漢企業股份有限公司
FSP TECHNOLOGY INC.

台灣桃園市建國東路22號 統一編號：84230055
 No. 22, Jianqiao East Road, Taoyuan City, Taiwan, R.O.C.
 TEL: +886-3-375-8888 Website: www.FSP-group.com
 FAX: +886-3-375-8988 Email: sales@fsp-group.com.tw

Rev.	Description of Changes	Author / Owner	Date
01	1. Preliminary Draft	Guppy	12-15-08
02	1. 修正 Cross regulation 2. Add temperature of non-operation 3. Add the Relative Humidity 4. Add 80plus test standard.	Guppy	05-07-09

CONFIDENTIAL
DO NOT COPY



CONTENTS

1. PURPOSE	5
2 DEFINITIONS/TERMS/ACRONYMS	6
3. MECHANICAL OVERVIEW	7
3.1 TEMPERATURE REQUIREMENTS	7
3.2 ACOUSTIC REQUIREMENTS	8
3.3 FAN SPEED CONTROL	8
3.4 RELATIVE HUMIDITY.....	8
4. AC INPUT REQUIREMENTS	9
4.1 AC INLET CONNECTOR	9
4.2 REDUNDANT AC INLETS	9
4.3 AC INPUT VOLTAGE SPECIFICATION.....	9
4.4 POWER FACTOR.....	9
4.5 INPUT UNDER VOLTAGE	9
4.5.1 Voltage Hold-up Time.....	9
4.6 EFFICIENCY.....	10
4.7 AC LINE DROPOUT.....	10
4.8 AC LINE FUSE	10
4.9 AC INRUSH.....	10
4.10 AC LINE TRANSIENT SPECIFICATION	11
4.11 AC LINE FAST TRANSIENT SPECIFICATION.....	11
5.DC OUTPUT SPECIFICATION	12
5.1 DISTRIBUTION BOARD OUTPUT CONNECTORS	12
5.1.1 Baseboard power connector (for reference).....	12
5.1.2 Processor Power Connector (for reference)	13
5.1.3 Peripheral Power Connectors (for reference).....	13
5.1.4 Floppy Power Connector (for reference)	13
5.1.5 Serial ATA Power Connector (for reference).....	14
5.2 GROUNDING	14
5.3 OUTPUT POWER/CURRENTS	15
5.3.1 Standby Outputs	15
5.4 VOLTAGE REGULATION.....	16
5.5 CROSS REGULATION	17
5.6 DYNAMIC LOADING	18
5.7 CAPACITIVE LOADING	18
5.8 RIPPLE / NOISE.....	19
5.9 REDUNDANCY.....	19
5.10 HOT SWAP REQUIREMENTS.....	19
5.11 TIMING REQUIREMENTS.....	20
6. PROTECTION CIRCUITS	22
6.1 240VA PROTECTION.....	22



Mini Redundant Power Supply PS2

6.2 OVER VOLTAGE PROTECTION 22

7 CONTROL AND INDICATOR FUNCTIONS 23

7.1 PSON#..... 23

7.2 PWOK (POWER OK) 24

7.3 POWER SUPPLY LED INDICATORS 24

7.4 ALARM SOUND (RESET BUTTON)..... 25

7.5 FAIL SIGNAL OF FAN (FAN-FAIL) (OPTIONAL) 25

7.6 POWER FAIL SIGNAL (PS_H & PS_L) (OPTIONAL) 25

8 MTBF 27

9 AGENCY REQUIREMENTS..... 27

CONFIDENTIAL
DO NOT COPY



Mini Redundant Power Supply PS2

1. Purpose

This Power Supply Design Guide defines a common redundant power sub-system for use in Pedestal servers and workstation systems. The power sub-system is made up of a cage (with a power distribution board) and hot-swap redundant power modules. This design guide covers the mechanical and electrical requirements of this power sub-system, which may range from 450 watts and is used in a hot-swap redundant configuration. The parameters of this supply are defined in this design guide for open industry use.

CONFIDENTIAL
DO NOT COPY



Mini Redundant Power Supply PS2

2 Definitions/Terms/Acronyms

Table 1:

Required	The status given to items within this design guide, which are required to meet SSI guidelines and a large majority of system applications.
Recommended	The status given to items within this design guide which are not required to meet SSI guidelines, however, are required by many system applications.
Optional	The status given to items within this design guide, which are not required to meet SSI guidelines, however, some system applications may optionally use these features.
Autoranging	A power supply that automatically senses and adjusts itself to the proper input voltage range (110 VAC or 220 VAC). No manual switches or manual adjustments are needed.
CFM	Cubic Feet per Minute (airflow).
Dropout	A condition that allows the line voltage input to the power supply to drop to below the minimum operating voltage.
Latch Off	A power supply, after detecting a fault condition, shuts itself off. Even if the fault condition disappears, the supply does not restart unless manual or electronic intervention occurs. Manual intervention commonly includes briefly removing and then reconnecting the supply, or it could be done through a switch. Electronic intervention could be done by electronic signals in the Server System.
Monotonically	A waveform changes from one level to another in a steady fashion, without intermediate retracement or oscillation.
Noise	The periodic or random signals over frequency band of 0 Hz to 20 MHz.
Overcurrent	A condition in which a supply attempts to provide more output current than the amount for which it is rated. This commonly occurs if there is a "short circuit" condition in the load attached to the supply.
PFC	Power Factor Corrected.
Ripple	The periodic or random signals over a frequency band of 0 Hz to 20 MHz.
Rise Time	Rise time is defined as the time it takes any output voltage to rise from 10% to 95% of its nominal voltage.
Sag	The condition where the AC line voltage drops below the nominal voltage conditions.
Surge	The condition where the AC line voltage rises above nominal voltage.
VSB or Standby Voltage	An output voltage that is present whenever AC power is applied to the AC inputs of the supply.
MTBF	Mean time between failure
PWOK	A typical logic level output signal provided by the supply that signals the Server System that all DC output voltages are within their specified range.



Mini Redundant Power Supply PS2

3. Mechanical Overview

The PS2 mini redundant is a power sub-system made up of a cage and redundant, hot swappable power supply modules. A mechanical drawing of the cage is shown below in Figure 1. The cage is intended to be mounted in the system and not redundant or hot swappable. The exterior face of the cage accepts hot swappable power supply modules. The distribution board within the cage distributes output power from the modules to a wire harness. Cooling fans, EMI filtering, and IEC inlet connector(s) may be located in the modules.

Dimensions: 150mm (W) × 84mm (H) × 190mm (L)

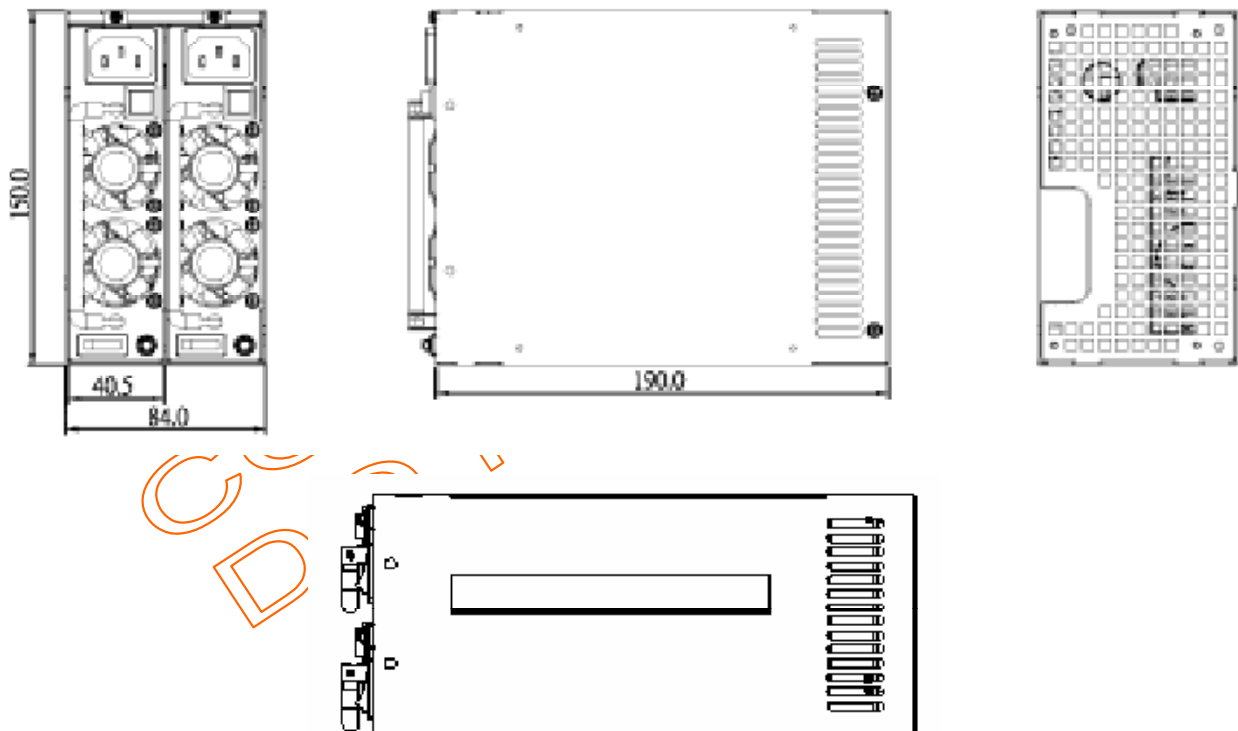


Figure 1: Cage Enclosure Drawing

3.1 Temperature Requirements

The operation ambient temperature shall be 0°C to 50°C.

The non-operation ambient temperature shall be -20°C to 80°C.



Mini Redundant Power Supply PS2

3.2 Acoustic Requirements

It is recommended the power supplies have a variable speed fan based on temperature and loading conditions. There are three different acoustic sound power levels defined at different ambient temperatures and loading conditions.

Table 2:

	Idle	Typical	Max
Ambient Temperature(deg.C)	25	25	25
% Loading	20%	60%	100%
audible noise (dB)	37	42	55

3.3 Fan Speed Control

The power supply have fan speed control circuit to reduce acoustic noise.

3.4 Relative Humidity

Operating: 5% to 90 % relative humidity (non-condensing)

Non-operating: 5% to 90 % relative humidity (non-condensing)

CONFIDENTIAL
DO NOT COPY



Mini Redundant Power Supply PS2

4. AC Input Requirements

The power supply modules shall incorporate universal power input with active power factor correction, which shall reduce line harmonics in accordance with the EN61000-3-2 and JEIDA MITI standards.

4.1 AC Inlet Connector

The AC input connector shall be an IEC 320 C-14 power inlet. This inlet is rated for 10A/250 VAC.

4.2 Redundant AC Inlets

The power supply assembly have dual redundant AC inlets. The power supply shall be able to operate over its full, specified range of requirements with either or both AC input powered. If there is a loss of one AC inlet the power supplies shall continue to operate with no interruption of performance. It is required that all redundant power supply modules be present to support redundant AC inlets.

4.3 AC Input Voltage Specification

The power supply must operate within all specified limits over the following input voltage range. Harmonic distortion of up to 10% THD must not cause the power supply to go out of specified limits. The power supply shall operate properly at 85 VAC input voltage to guarantee proper design margins.

Table 3: AC Input Rating

PARAMETE	MIN	RATED	MAX
Voltage	90	100-127 V _{rms}	140 V _{rms}
Voltage	180	200-240 V _{rms}	264 V _{rms}
Frequency	47 Hz		63 Hz

4.4 Power Factor

The power factor shall be greater than 0.95 at full load / 100 Vrms input voltage conditions , and 0.9 at full load / 240Vrms input voltage conditions

4.5 Input Under Voltage

The power supply shall contain protection circuitry such that application of an input voltage below the minimum specified in section 4.3 shall not cause damage to the power supply.

4.5.1 Voltage Hold-up Time

The power supply holdup time requirements to 100% of maximum load.



Mini Redundant Power Supply PS2

4.6 Efficiency

The following table provides recommended and required minimum efficiency levels. These are provided at three different load levels; 100%, 50% and 20%. The “required” minimum efficiency levels are for the purpose of proper power supply cooling when installed in the system. The “recommended” minimum efficiency levels are for the purpose of reducing the system’s AC power consumption. The efficiency is specified at 50% and 20% loading conditions to help reduce system power consumption at typical system loading conditions.

Efficiency shall be tested at AC input voltages of 115VAC and 230VAC. And only insert one power module into the power cage. The voltage should measure on the back plane.

Table 5: 450W Efficiency

Loading		+3.3V/A	+5V/A	+12V1/A	+12V2/A	+12V3/A	-5V/A	-12V/A	+5Vsb/A	Efficiency
Full Load	450.01W	9.94	9.94	10.04	10.04	8.79	0.48	0.76	1.91	80%
Typical Load	224.92W	4.97	4.97	5.02	5.02	4.39	0.24	0.38	0.95	80%
Light Load	90.08W	1.99	1.99	2.01	2.01	1.76	0.1	0.15	0.38	80%

4.7 AC Line Dropout

An AC line dropout is defined to be when the AC input drops to 0 VAC at any phase of the AC line for any length of time. During an AC dropout of one cycle or less the power supply must meet dynamic voltage regulation requirements up to 75% of the rated output load. An AC line dropout of one cycle or less shall not cause any tripping of control signals or protection circuits. If the AC dropout lasts longer than one cycle or the load is greater than 75%, the power supply should recover and meet all turn on requirements. The power supply must meet the AC dropout requirement over rated AC voltages, frequencies, and output loading conditions. Any dropout of the AC line shall not cause damage to the power supply. In the case of redundant AC inputs, the AC line dropout may occur on either or both AC inlet.

4.8 AC Line Fuse

The power supply shall incorporate one input fuse on the LINE side for input over-current protection to prevent damage to the power supply and meet product safety requirements. Fuses should be slow blow type or equivalent to prevent nuisance trips. AC inrush current shall not cause the AC line fuse to blow under any conditions. All protection circuits in the power supply shall not cause the AC fuse to blow unless a component in the power supply has failed. This includes DC output load short conditions.

4.9 AC Inrush

An additional inrush current limit is recommended for some system applications that require multiple systems on a single AC circuit. Under all other conditions, power supply should not be damaged.



Mini Redundant Power Supply PS2

4.10 AC Line Transient Specification

AC line transient conditions shall be defined as “sag” and “surge” conditions. Sag conditions (also referred to as “brownout” conditions) will be defined as the AC line voltage dropping below nominal voltage. Surge conditions will be defined as the AC line voltage rising above nominal voltage.

The power supply shall meet the requirements under the following AC line sag and surge conditions.

Table 6: AC Line Sag Transient Performance

AC Line Sag				
Duration	Sag	Operating AC Voltage	Line Frequency	Performance Criteria
Continuous	10%	Nominal AC Voltage ranges	50/60 Hz	No loss of function or performance
0 to 1 AC cycle	100%	Nominal AC Voltage ranges	50/60 Hz	No loss of function or performance
>1 AC cycle	>10%	Nominal AC Voltage ranges	50/60 Hz	Loss of function acceptable, self recoverable

Table 7: AC Line Surge Transient Performance

AC Line Surge				
Duration	Surge	Operating AC Voltage	Line Frequency	Performance Criteria
Continuous	10%	Nominal AC Voltages	50/60 Hz	No loss of function or performance
0 to ½ AC cycle	30%	Mid-point of nominal AC Voltages	50/60 Hz	No loss of function or performance

4.11 AC Line Fast Transient Specification

The power supply shall meet the *EN61000-4-5* directive and any additional requirements in *IEC1000-4-5:1995* and the Level 3 requirements for surge-withstand capability, with the following conditions and exceptions:

- These input transients must not cause any out-of-regulation conditions, such as overshoot and undershoot, nor must it cause any nuisance trips of any of the power supply protection circuits.
- The surge-withstand test must not produce damage to the power supply.
- The supply must meet surge-withstand test conditions under maximum and minimum DC-output load conditions.



Mini Redundant Power Supply PS2

5.DC Output Specification

These are the output requirements for the power supply assembly.

5.1 Distribution Board Output Connectors

The power supply distribution board shall have the following output connector and wire harness configuration.

5.1.1 Baseboard power connector (for reference)

Connector housing: 24-Pin Molex 39-01-2240 or equivalent

Contact: Molex 44476-1111 or equivalent

Table 8: P1 Baseboard Power Connector

Pin	Signal	18 AWG Color	Pin	Signal	18 AWG Color
1	+3.3 VDC, 3.3RS ₁	Orange, Orange/white stripe	13	+3.3 VDC	Orange
2	+3.3 VDC	Orange	14	-12 VDC	Blue
3	COM	Black	15	COM	Black
4	+5 VDC	Red	16	PS_ON	Green
5	COM	Black	17	COM	Black
6	+5 VDC	Red	18	COM	Black
7	COM	Black	19	COM	Black
8	PWR OK	Gray	20	-5 VDC	White
9	5 VSB	Purple	21	+5 VDC 5VRS	Red Red/white Stripe
10	+12 V1 12VRS	Yellow Yellow/White Stripe	22	+5 VDC	Red
11	+12 V1	Yellow	23	+5 VDC	Red
12	+3.3 VDC	Orange	24	COM	Black

1. 3.3V remote sense signal double crimped with 3.3V contact.

2. If 240VA limiting is not a requirement for the power supply than all +12V outputs are common and may have the same wire color (yellow).



Mini Redundant Power Supply PS2

5.1.2 Processor Power Connector (for reference)

Connector housing: 8-Pin Molex 39-01-2080 or equivalent

Contact: Molex 44476-1111 or equivalent

Table 9: Processor Power Connector

Pin	Signal	18 AWG color	Pin	Signal	18 AWG Color
1	COM	Black	5	+12 V2	Yellow/Black Stripe
2	COM	Black	6	+12 V2	Yellow/Black Stripe
3	COM	Black	7	+12 V3	Yellow/Blue Stripe
4	COM	Black	8	+12 V3	Yellow/Blue Stripe

If 240VA limiting is not a requirement for the power supply than all +12V outputs are common and may have the same wire color (yellow).

5.1.3 Peripheral Power Connectors (for reference)

Connector housing: Amp 1-480424-0 or equivalent

Contact: Amp 61314-1 contact or equivalent

Table 10: Peripheral Power Connectors

Pin	Signal	18 AWG Color
1	+12V1 ¹	Yellow ¹
2	COM	Black
3	COM	Black
4	+5 VDC	Red

1. If 240VA limiting is not a requirement for the power supply than all +12V outputs are common and may have the same wire color.

5.1.4 Floppy Power Connector (for reference)

Connector housing: Amp 171822-4 or equivalent

Table 11: P9 Floppy Power Connector

Pin	Signal	22 AWG Color
1	+ 12V1 ¹	Yellow
2	COM	Black
3	COM	Black
4	+ 5 VDC	Red

1. If 240VA limiting is not a requirement for the power supply than all +12V outputs are common and may have the same wire color.



Mini Redundant Power Supply PS2

5.1.5 Serial ATA Power Connector (for reference)

This is a required connector for systems with serial ATA devices.

The detailed requirements for the serial ATA connector can be found in the “Serial ATA : High Speed Serialized AT Attachment “ specification at www.serialata.org.

Molex Housing #675820000

Molex Terminal #67510000

Table 12: Floppy Power Connector

Pin	Signal	18 AWG Color
5	+3.3VDC	Orange
4	COM	Black
3	+5VDC	Red
2	COM	Black
1	+12V1	Yellow

5.2 Grounding

The ground of the pins of the power assembly wire harness provides the power return path. The wire harness ground pins shall be connected to safety ground (power supply enclosure).



Mini Redundant Power Supply PS2

5.3 Output Power/Currents

The following tables define the power and current ratings for different recommended power levels. Depending upon the system design, the power supply modules may have less outputs than required by the system (example: +12V and 5VSB). If there are less outputs than required by the system on the module, the cage shall have additional DC/DC converters to generate the voltages not produced by the modules (example: +12V/+5V, +12V/+3.3V, +12V/-12V). The combined output power of all outputs from the cage shall not exceed the rated output power. The power assembly shall meet both static and dynamic voltage regulation requirements over the full load ranges. The power sub-assembly shall supply redundant power over the full load ranges.

Table 15: 450 W Load Ratings

Voltage	Minimum Continuous	Maximum Continuous	Peak
+3.3 V	0.5 A	20 A	
+5 V	0.5 A	20 A	
+12V1	0.5 A	18 A	
+12V2	0.5 A	18 A	
+12V3	0.5 A	16 A	
-5 V	0 A	0.5 A	
-12 V	0 A	0.8 A	
+5 VSB	0 A	2 A	

1. Maximum continuous total DC output power should not exceed 450 W.
2. Maximum continuous combined load on +3.3 VDC and +5 VDC outputs shall not exceed 100 W.
3. Maximum combined current for the 12 V outputs shall be 35 A
4. When peak load of +5Vsb is 2.5A, the main power should be turn on

5.3.1 Standby Outputs

The 5 VSB output shall be present when an AC input greater than the power supply turn on voltage is applied.



Mini Redundant Power Supply PS2

5.4 Voltage Regulation

The power assembly output voltages must stay within the following voltage limits when operating at steady state and dynamic loading conditions. These limits include the peak-peak ripple/noise specified in Section 5.10. All outputs are measured with reference to the return remote sense (ReturnS) signal. The 5 V, 12V1, 12V2, 12V3, -12 V, and 5 VSB outputs are measured at the power assembly connectors referenced to ReturnS. The +3.3 V is measured at its remote sense signal (3.3VS) located at the signal connector.

Table 17: Voltage Regulation Limits

Parameter	MIN	NOM	MAX	Units	Tolerance
+3.3 V	+3.135	+3.30	+3.46	V _{rms}	+5/-5%
+5 V	+4.75	+5.00	+5.25	V _{rms}	+5/-5%
+12V1	+11.40	+12.00	+12.60	V _{rms}	+5/-5%
+12V2	+11.40	+12.00	+12.60	V _{rms}	+5/-5%
+12V3	+11.40	+12.00	+12.60	V _{rms}	+5/-5%
-5 V	-4.50	-5.00	-5.50	V _{rms}	+10/-10%
-12 V	-10.80	-12.20	-13.20	V _{rms}	+10/-10%
+5 VSB	+4.75	+5.00	+5.25	V _{rms}	+5/-5%



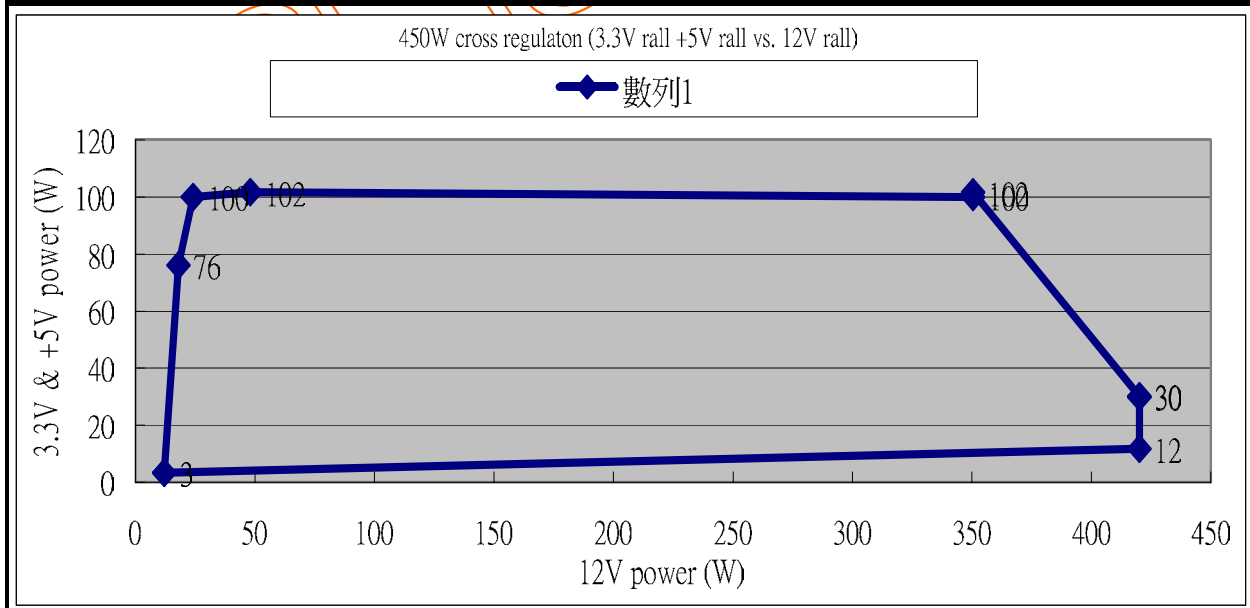
Mini Redundant Power Supply PS2

5.5 Cross Regulation

Each output shall remain within the specified limits for the +5V, +3.3V, +12V1,+12V2,+12V3,-5V, -12V and 5Vsb which acceptable load combinations are in the following table.

Table 19:450W Cross Regulation Table

450W Cross regulation table									
Loading	+3.3V/A	+5V/A	+3.3 & +5V Combine Power	+12V/A Combine	+12V Power	-5V/A	-12V/A	+5Vsb/A	Total Power
L-1	0.5	0.3	3	1	12	0.	0.	0	15
L-2	20	2	76	1.5	18	0.	0.	2	104
L-3	20	6.8	100	2	24	0.	0.	0	124
L-4	0.5	20	102	4	48	0.5	0.8	2	172
L-5	20	6.8	100	29.2	350	0.	0.	0	450
L-6	0.5	20	102	29.2	350	0.	0.	0	452
L-7	0.5	5.7	30	35	420	0.	0.	0	450
L-8	6	2	30	35	420	0.	0.	0	450
L-9	0.5	2	12	35	420	0.5	0.8	2	454





Mini Redundant Power Supply PS2

5.6 Dynamic Loading

The output voltages shall remain within the limits specified in Table 19 for the step loading and within the limits specified in for the capacitive loading. The load transient repetition rate shall be tested between 50 Hz and 5 kHz at duty cycles ranging from 10%-90%. The load transient repetition rate is only a test specification. The . step load may occur anywhere within the MIN load to the MAX load shown in Table 15.

Table 19: Transient Load Requirements

Output	Step Load Size	Load Slew Rate	Capacitive Load
+3.3 V	20% of max load	0.5 A/ μ s	1000 μ F
+5 V	20% of max load	0.5 A/ μ s	1000 μ F
+12V1、+12V2、+12V3	30% of max load	0.5 A/ μ s	2200 μ F
+5 VSB	25% of max load	0.5 A/ μ s	1 μ F

5.7 Capacitive Loading

The power supply shall be stable and meet all requirements, except dynamic loading requirements, with the following capacitive loading ranges.

Note: Up to 10,000 μ F of the +12V capacitive loading may be on the +12V1 output.

Table 20: Capacitive Loading Conditions

Output	MIN	MAX	Units
+3.3 V	10	12,000	μ F
+5 V	10	12,000	μ F
+12 V1、+12V2、+12V3	10	11,000	μ F
- 5 V	1	350	μ F
-12 V	1	350	μ F
-5 V	1	350	μ F
+5 VSB	1	350	μ F



Mini Redundant Power Supply PS2

5.8 Ripple / Noise

The maximum allowed ripple/noise output of the power supply is defined in Table 21. This is measured over a bandwidth of 0 Hz to 20 MHz at the power supply output connectors. A 10 μ F tantalum capacitor in parallel with a 0.1 μ F ceramic capacitor are placed at the point of measurement.

Table 21: Ripple and Noise

+3.3 V	+5 V	+12 V1 、 +12 V2 、 +12 V3	-5 V	-12 V	+5 VSB
50 mVp-p	50 mVp-p	120 mVp-p	200 mVp-p	200 mVp-p	50 mVp-p

5.9 Redundancy

The power sub-system may have different levels of redundancy depending upon the availability requirements of the system. The Required, Recommended, and Optional items are broken down here. To be redundant each item must be in the hot swap power supply module. The power sub-system shall have redundancy of the main power converters for the power factor correction stage and the main +12V output.

5.10 Hot Swap Requirements

The power supply modules shall be hot swappable. Hot swapping a power supply is the process of inserting and extracting a power supply from an operating power system. During this process the output voltages shall remain within the limits specified in Table 17 with the capacitive load specified. The hot swap test must be conducted when the sub-system is operating under both static and dynamic conditions. The sub-system shall not exceed the maximum inrush current as specified in section 5.8. The power supply can be hot swapped by the following methods:

AC connecting separately to each module. Up to two power supplies may be on a single AC power source. Extraction: The AC power will be disconnected from the power supply first and then the power supply is extracted from the sub-system. This could occur in standby mode or powered on mode. Insertion: The module is inserted into the cage and then AC power will be connected to the power supply module.

For power modules with AC docking at the same time as DC. Extraction: The module is extracted from the cage and both AC and DC disconnect at the same time. This could occur in standby or power on mode. No damage or arcing shall occur to the DC or AC contacts which could cause damage. Insertion: The AC and DC connect at the same time as the module is inserted into the cage. No damage to the connector contacts shall occur. The module may power on or come up into standby mode.

Many variations of the above are possible. Supplies need to be compatible with these different variations depending upon the sub-system construction. In general, a failed (off by internal latch or external control) supply may be removed, then replaced with a good power supply, however, hot swap needs to work with operational as well as failed power supplies. The newly inserted power supply may get turned on by inserting the supply into the system or by system management recognizing an inserted supply and explicitly turning it on.



Mini Redundant Power Supply PS2

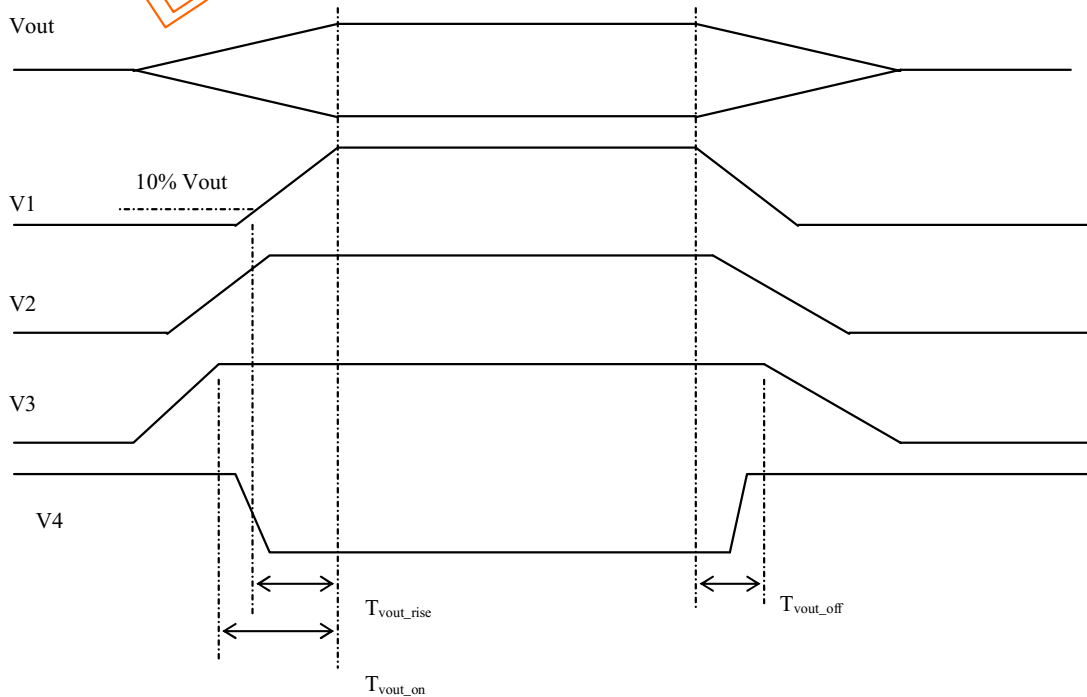
5.11 Timing Requirements

These are the timing requirements for the power supply operation. The output voltages must rise from 10% to within regulation limits (T_{vout_rise}) within 1 to 70ms. The +3.3V, +5V and +12V output voltages should start to rise approximately at the same time. All outputs must rise monotonically. The +5V output needs to be greater than the +3.3V output during any point of the voltage rise. The +5V output must never be greater than the +3.3V output by more than 2.25V. Each output voltage shall reach regulation within 50ms (T_{vout_on}) of each other during turn on of the power supply. Each output voltage shall fall out of regulation within 400msec (T_{vout_off}) of each other during turn off. Refer to Figure 2 Power Supply Timing. Figure 3 Turn-on Turn-off Timing shows the timing requirements for the power supply being turned on and off via the AC input with PSON held low, and the power supply being turned on and off with the PSON signal after AC input is applied.

Table 22 Output Voltage Timing

ITEM	DESCRIPTION	MIN	MAX	UNITS
T_{vout_rise}	Output voltage rise time from each main output.	1	70	msec
T_{vout_on}	All main outputs must be within regulation of each other within this time.		50	msec
T_{vout_off}	All main outputs must leave regulation within this time.		400	msec

Figure 2: Power Supply Timing





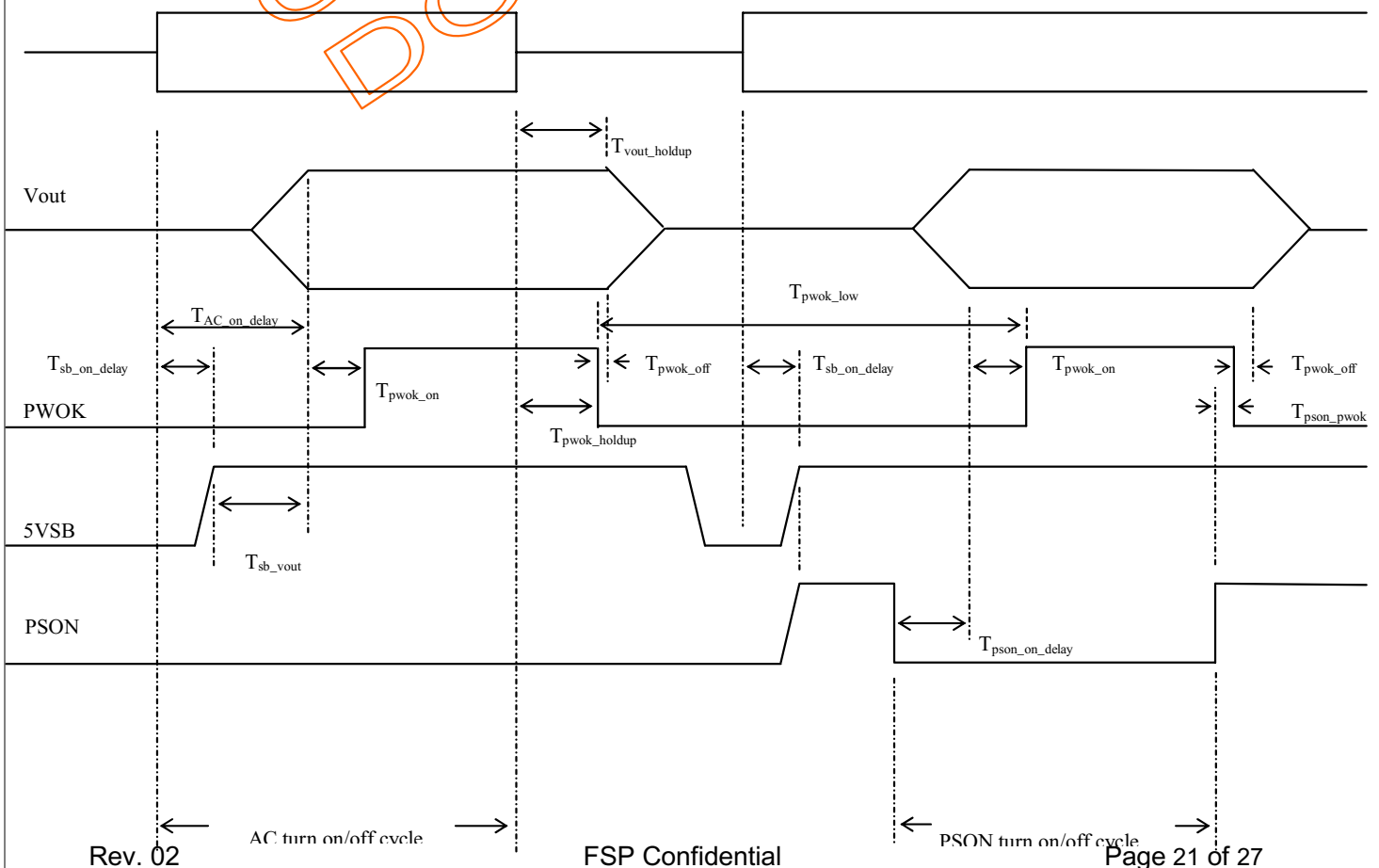
Mini Redundant Power Supply PS2

Table 23 Turn On/Turn Off Timing

ITEM	DESCRIPTION	MIN	MAX	UNIS
$T_{sb_on_delay}$	Delay from AC being applied to 5VSB being within regulation.		3000	msec
$T_{ac_on_delay}$	Delay from AC being applied to all output voltages being within regulation.		4500	msec
T_{vout_holdup}	Time all output voltages stay within regulation after loss of AC.	16		msec
T_{pwok_holdup}	Delay from loss of AC to deassertion of PWOK	16		msec
$T_{pson_on_delay}$	Delay from PSON# active to output voltages within regulation limits.	5	400	msec
T_{pson_pwok}	Delay from PSON# deactive to PWOK being deasserted.		100	msec
T_{pwok_on}	Delay from output voltages within regulation limits to PWOK asserted at turn on.	100	500	msec
T_{pwok_off}	Delay from PWOK deasserted to output voltages (3.3V, 5V, 12V1, 12V2) dropping out of regulation limits.	1		msec
T_{pwok_low}	Duration of PWOK being in the deasserted state during an off/on cycle using AC or the PSON signal.	100		msec
T_{sb_vout}	Delay from 5VSB being in regulation to O/Ps being in regulation at AC turn on.	50	1000	msec

AC Input

Figure 3 Timing Diagram





Mini Redundant Power Supply PS2

6. Protection Circuits

Protection circuits inside the power supply shall cause only the power supply's main outputs to shutdown. If the power supply latches off due to a protection circuit tripping, an AC cycle OFF for 15 s and a PSON# cycle HIGH for 1 s must be able to reset the power supply.

6.1 240VA Protection

System designs may require user access to energized areas of the system. In these cases the power supply may be required to meet regulatory 240VA energy limits for any power rail. Since the +12V rail combined power exceeds 240VA it must be divided into separate channels to meet this requirement. Each separate rail needs to be limited to less than 20A for each +12V rail. The separate +12V rails do not necessarily need to be independently regulated outputs. They can share a common power conversion stage. For common plane systems, the +12V rail is divided into three rails. For split plane systems, the +12V rail is split into four rails. Refer to section 6.4 for how the 12V rail is split between different output connectors.

Table 25: Over Current Protection

Voltage	Split Plane
	Over Current Limit (I _{out} limit)
+3.3 V	110% minimum; 150% maximum
+5 V	110% minimum; 150% maximum
+12V1,2,3	Peak current minimum; 20.5A maximum

6.2 Over Voltage Protection

The power supply over voltage protection shall be locally sensed in the hot swap modules. The power supply shall shutdown and latch off after an over voltage condition occurs. This latch shall be cleared by toggling the PSON# signal or by an AC power interruption. Table 26 contains the over voltage limits. The values are measured at the output of the power supply's connectors. The voltage shall never exceed the maximum levels when measured at the power pins of the power supply connector during any single point of fail. The voltage shall never trip any lower than the minimum levels when measured at the power pins of the power supply connector.

Table 26: Over Voltage Limits

Output Voltage	MIN (V)	MAX (V)
+3.3 V	3.9	4.5
+5 V	5.7	6.5
+12V1,+12V2, +12V3,	13.3	14.5



Mini Redundant Power Supply PS2

7 Control and Indicator Functions

The following sections define the input and output signals from the power supply.

Signals that can be defined as low true use the following convention:

$signal\# = \text{low true}$

7.1 PSON#

The PSON# signal is required to remotely turn on/off the power supply. PSON# is an active low signal that turns on the +3.3 V, +5 V, +12 V, and -12 V power rails. When this signal is not pulled low by the system, or left open, the outputs (except the +5 VSB and Vbias) turn off. This signal is pulled to a standby voltage by a pull-up resistor internal to the power supply. Refer to Figure 3 for timing diagram.

Table 27: PSON# Signal Characteristic

Signal Type	Accepts an open collector/drain input from the system. Pull-up to VSB located in power supply.	
PSON# = Low, PSKILL = Low	ON	
PSON# = Open, PSKILL = Low or Open	OFF	
PSON# = Low, PSKILL = Open	OFF	
	MIN	MAX
Logic level low (power supply ON)	0V	1.0V
Logic level high (power supply OFF)	2.0V	5.25V
Source current, $V_{pson} = \text{low}$		4mA
Power up delay: $T_{pson_on_delay}$	5msec	400msec
PWOK delay: T_{pson_pwok}		50msec

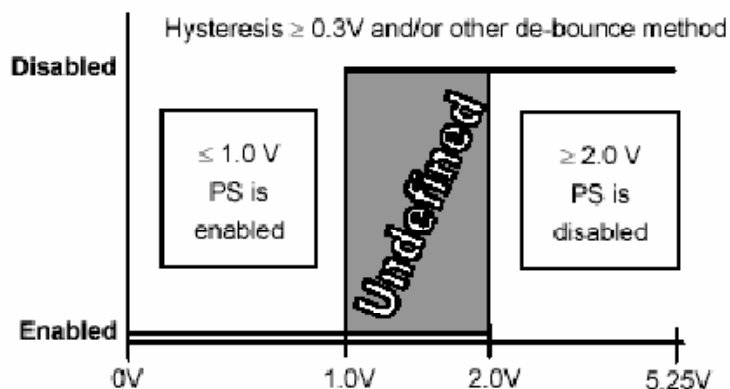


Figure 4: PSON# Signal Characteristics



Mini Redundant Power Supply PS2

7.2 PWOK (Power OK)

PWOK is a power OK signal and will be pulled HIGH by the power supply to indicate that all the outputs are within the regulation limits of the power supply. When any output voltage falls below regulation limits or when AC power has been removed for a time sufficiently long so that power supply operation is no longer guaranteed, PWOK will be pull to a LOW state. See *Figure 3* for a representation of the timing characteristics of PWOK. The start of the PWOK delay time shall be inhibited as long as any power supply output is in current limit.

Table 28: PWOK Signal Characteristics

Signal Type	Open collector/drain output from power supply. Pull-up to VSB located in power supply.	
PWOK = High	Power OK	
PWOK = Low	Power Not OK	
	MIN	MAX
Logic level low voltage, Isink=4mA	0V	0.4V
Logic level high voltage, Isource=200μA	2.4V	5.25V
Sink current, PWOK = low		4mA
Source current, PWOK = high		2mA
PWOK delay: T_{pwok on}	100ms	500ms
PWOK rise and fall time		100μsec
Power down delay: T_{pwok-off}	1ms	200msec

7.3 Power Supply LED Indicators

There will be a single bi-color LED to indicate power supply status. When AC is applied to the PSU and standby voltages are available the LED shall DARK. The LED shall turn ON GREEN to indicate that all the power outputs are available. The LED shall turn ON ORANGE to indicate that the power supply has failed, due to ambient over temperature, fan fail. Refer to *Table 29 LED Indicators* for conditions of the LEDs.

Table 29: LED Indicators

POWER SUPPLY CONDITION	Power Supply LED
No AC power to all PSU	OFF
AC present / Only Standby Outputs On	OFF
Power supply DC outputs ON and OK	GREEN
Power supply failure (includes ambient over temperature, fan fail)	ORANGE

The LED shall be visible on the power supply's exterior face. The LED location shall meet ESD requirements. LED shall be securely mounted in such a way that incidental pressure on the LED shall not cause it to become displaced.



Mini Redundant Power Supply PS2

7.4 Alarm Sound (RESET BUTTON)

This is an alarm to report the one of the single module is fail or without PWOK in redundant mode. It will be to sound the alarm till the PWOK is High or push the RESET button.

7.5 Fail Signal of Fan (Fan-Fail) (Optional)

There are two fans inside each power module. Fan fail signal will be pulled in a high state when one or both of the fans are locked or stopped. As both of the fans are well-functioning, the fan fail signal will be pulled in low state. See Tabel-29 for the characteristics of the fan-fail signal.

Table 29: Fan Fail Signal Characteristics

Signal Type	Open collector/Emitter output from power supply. Pull-up to VSB located in power supply.	
Fan-Fail = High	FAN Not OK	
Fan-Fail = Low	FAN OK	
	MIN	MAX
Logic level low voltage, Isink=4mA	0V	0.4V
Logic level high voltage, Isource=200 μ A	2.4V	5.25V
Sink current, Fan-Fail = low		4mA
Source current, Fan-Fail = high		2mA

7.6 Power Fail Signal (PS_H & PS_L) (Optional)

This signal will inform the user that one of the module power is fail. There are two type of signal (PS_H & PS_L) for chosen. Please refer to Table 30: Power fail signal-High mode for condition of PS_H and Table 31: Power fail signal-Low mode for condition of PS_L. User can choose one of condition to meet the system requirement.

Table 30: Power fail signal-High mode

Power Fail Signal Type	Open collector/drain output from power supply. Pull-up to VSB located in power supply.	
Module_A or Module_B	PS_H	
Pass	Low	
Fail	High	
	Min	Max
Logic level low voltage, Isink=4mA	0V	0.4V
Logic level high voltage, Isource=200 μ A	4.75V	5.25V
Sink current, PS_H or PS_L = low		4mA
Source current, PS_H or PS_L = high		200 μ A



Mini Redundant Power Supply PS2

Table 31: Power fail signal-Low mode

Power Fail Signal Type	Open collector/drain output from power supply. Pull-up to VSB located in power supply.	
Module_A or Module_B	PS_L	
Pass	High	
Fail	Low	
	Min	Max
Logic level low voltage, Isink=4mA	0V	0.4V
Logic level high voltage, Isource=200uA	4.75V	5.25V
Sink current, PS_H or PS_L = low		4mA
Source current, PS_H or PS_L = high		200 μ A

CONFIDENTIAL
DO NOT COPY



Mini Redundant Power Supply PS2

8 MTBF

Using *Bellcore*, the calculated MTBF > 100,000 Hrs at 25° C, nominal input..

9 Agency Requirements

The power supply must comply with all regulatory requirements for its intended geographical market. Depending on the chosen market, regulatory requirements may vary. Although a power supply can be designed for worldwide compliance, there may be cost factors that drive different versions of supplies for different geographically targeted markets. This specification requires that the power supply meet all regulatory requirements for the intended market at the time of manufacturing. Typically this includes:

- UL
- CUL
- TUV
- CE
- CISPR Class B
- FCC Class B

CONFIDENTIAL
DO NOT COPY